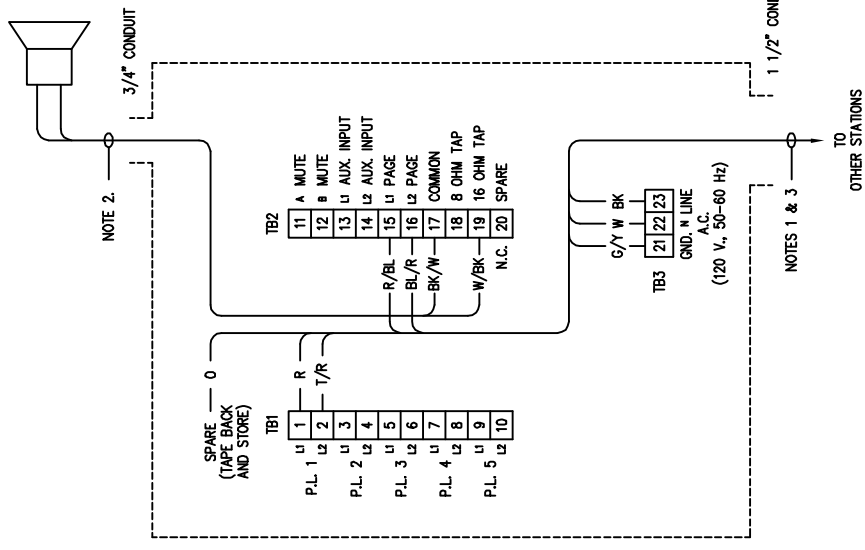
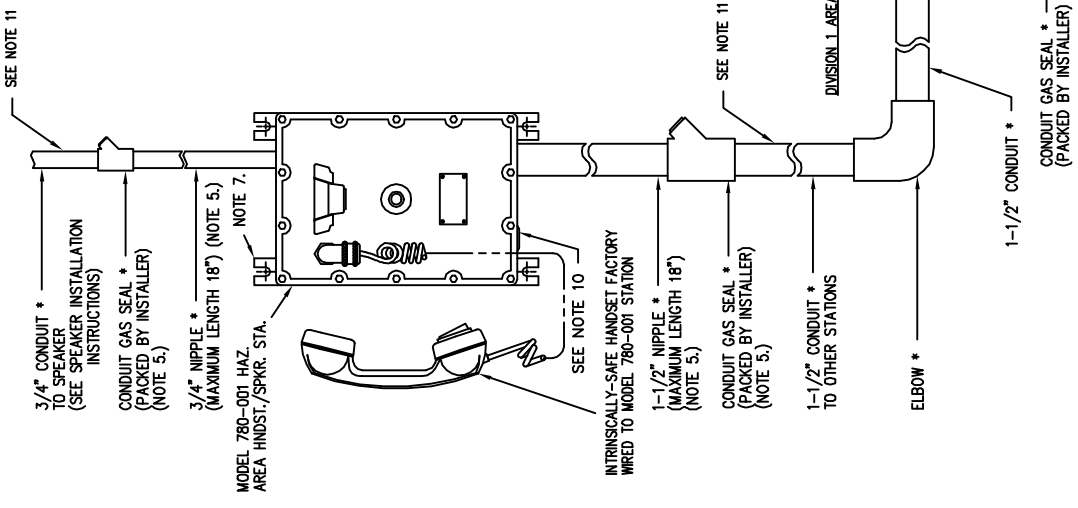


THIS DOCUMENT AND ITS CONTENTS ARE THE PROPERTY OF GAI-TRONICS CORPORATION (GTC), AND SHALL NOT BE REPRODUCED, COPIED, EITHER WHOLLY OR IN PART, WITHOUT THE EXPRESS WRITTEN CONSENT OF GTC. DISCLOSE, DIRECTLY OR INDIRECTLY, IN WHOLE OR IN PART, THE DOCUMENT/CONTENTS TO ANY PERSON OR ENTITY, AND SHALL NOT USE, IN WHOLE OR IN PART, THE DOCUMENT/CONTENTS, EXCEPT STRICTLY AS AUTHORIZED BY GTC.

REVISION			
REV.	DESCRIPTION	ENGR. APVD.	DATE
A	INITIAL RELEASE, NEVER PRELIM. / LTH	LTH	PHW 12/7/94

- NOTES:**
- COLOR CODE OF SYSTEM CABLE BASED ON GAI-TRONICS CORP. No. 60038-101 8-CONDUCTOR CABLE.
 - COLOR CODE OF SPEAKER CABLE BASED ON GAI-TRONICS CORP. No. 60021-301 2-CONDUCTOR CABLE (TWISTED PAIR #18 AWG). CONNECTION SHOWN FOR 16 OHM SPEAKER. MOVE W/BK WIRE FROM TERMINAL #19 TO TERMINAL #18 FOR 8 OHM SPEAKER.
 - THE NOTATION COLOR #1/ COLOR #2 (e.g. R/BL) DENOTES BASIC WIRE COLOR #1 WITH COLOR #2 STRIPE.
 - SUGGESTED MOUNTING HEIGHT OF STATION (FROM CENTERLINE OF STATION TO FLOOR): 34 INCHES (1400 mm).
 - EXTERNAL CONDUITS IN CLASS I, DIV. 1; GROUPS C & D AREAS TO HAVE GAS SEALS NOT MORE THAN 18 INCHES (457 mm) FROM STATION. EXTERNAL CONDUITS IN CLASS II AND CLASS III AREAS TO HAVE SEALS IF CONDUIT SYSTEM IS NOT DUST-TIGHT.
 - COMPONENTS USED TO FORM THIS STATION MAY BE REARRANGED BY INSTALLER FOR TOP ENTRY OF SYSTEM CONDUIT BY FOLLOWING THESE INSTRUCTIONS:
 - MOUNT REAR PART OF HOUSING INVERTED.
 - INVERT P.C.B. SUB-ASSEMBLY INSIDE REAR HOUSING TO RETURN IT TO PROPER ORIENTATION.
 - WHEN OPTIONAL WEATHERPROOF CABINET IS USED, THE MOUNTING STRAPS ARE NOT USED. THE MOUNTING SCREWS (4) PROVIDED WITH THE STATION ARE USED TO MOUNT THE STATION INSIDE THE WEATHERPROOF CABINET. CONDUIT HOLES MUST BE DRILLED IN THE WEATHERPROOF CABINET USING THE TEMPLATE PROVIDED. IF CONDUIT ENTERS TOP OF WEATHERPROOF CABINET, USE WEATHERPROOF SEALING MATERIAL AROUND CONDUIT AT CABINET ENTRANCE.
 - THE No. 780-001 STATION SHOWN ON THIS DRAWING IS CERTIFIED BY CSA FOR THE FOLLOWING HAZARDOUS AREA LOCATION:
 - CLASS I, DIV. 1; GROUPS C, E, F & G
 - CLASS II, DIV. 1; GROUPS E, F & G
 - CLASS III, DIV. 1
 - APPROVAL IS BASED ON INSTALLATION WITHOUT UNAUTHORIZED EQUIPMENT MODIFICATION AND IN ACCORDANCE WITH THIS DRAWING AND PART 1 OF CANADIAN ELECTRICAL CODE (CEC) REQUIREMENTS.
 - CHANGES TO THIS DRAWING REQUIRE PRIOR CSA APPROVAL.
 - STANDARD HOLE SIZE: 1 1/2" - 11 1/2 NPT
 - OPTIONAL HOLE SIZE: 2" - 11 1/2 NPT
 - USE OF FLEXIBLE ARMORED CABLE AND SEALED CABLE GLAND IS PERMISSIBLE AFTER THE CONDUIT GAS SEAL.



APPLICABLE FOR CSA APPROVED INSTALLATIONS ONLY

JOB DWG. No.		GAI-TRONICS CORPORATION READING, PA. 19603	
CONTRACT No.		MODEL 780-001 DIV. I HAZ. AREA HNDST/SPKR. STA. SINGLE PARTY, 120 VAC	
MATERIAL	APPROVALS	DATE	REV.
FINISH	DRAWN	LTH	11/29/94
DO NOT SCALE DWG.	ENGR.	LTH	12/7/94
SCALE N/A	PHW	PHW	12/7/94
		SCALE N/A	71801
			SHEET 1 OF 1

Pub. 42004-238

* INSTALLATION ACCESSORIES NOT SUPPLIED BY GAI-TRONICS CORP. BUT MUST MEET CANADIAN ELECTRIC CODE (PART I) REQUIREMENTS. SMALLER CONDUIT SIZES MAY BE USED WITH REDUCERS IF WITHIN C.E.C. REQUIREMENTS.